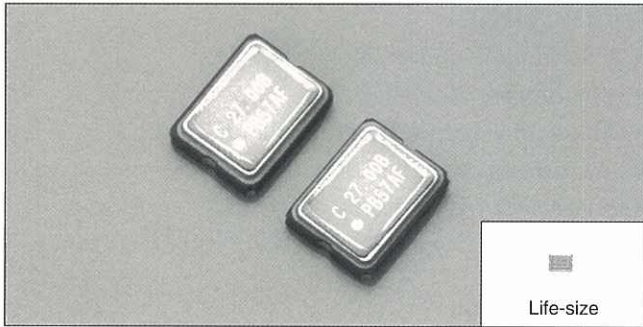


CSX-325P SERIES

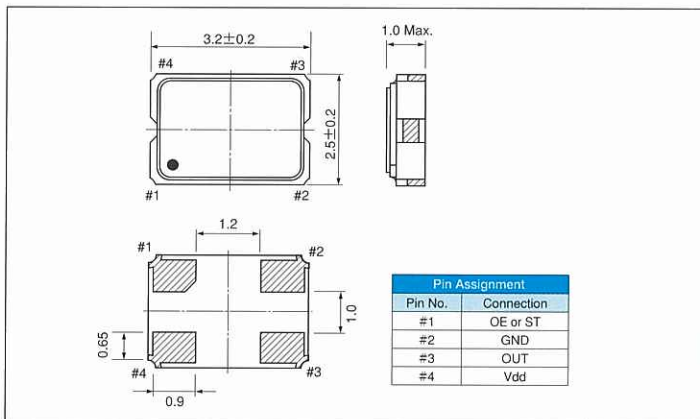
2000pcs/reel



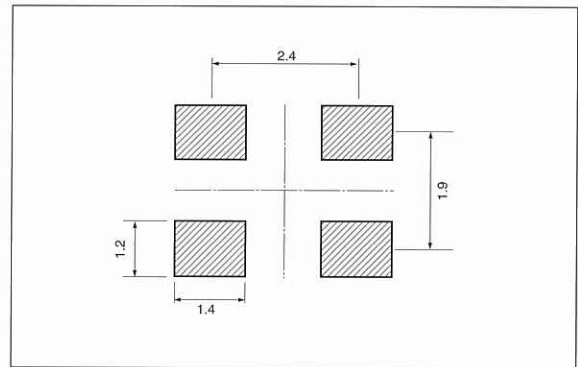
FEATURES

- Wide range of output frequency by PLL technology.
- Quick sample delivery and short lead time in mass production.
- Automatic mounting and reflowable type.
- Low current consumption with output enable function (OE) or stand by function (STAND-BY).
- Suitable for various applications such as communication devices, AV devices, automotive devices and measuring instruments.

DIMENSION [mm]



SOLDER PAD LAYOUT [mm]



STANDARD SPECIFICATIONS

* Model is determined by the selection for the output enable function or stand by, the frequency stability and the supply voltage.

| Item | Model | OE | CSX-325 PC (*) | CSX-325 PB (*) |
|-----------------------------|----------------------|----------|--|-----------------|
| | | STAND-BY | CSX-325 PD (*) | CSX-325 PJ (*) |
| Frequency Range | | | 1.000MHz ~ 125.000MHz | |
| Supply Voltage | | | Vdd : 5.0V±0.5V | Vdd : 3.3V±0.3V |
| Frequency Stability | | | B : ±50ppm, C : ±100ppm, E : ±50ppm(-40°C~+85°C), F : ±100ppm(-40°C~+85°C) | |
| Operating Temperature Range | | | -20°C~+70°C (-40°C~+85°C) | |
| Storage Temperature Range | | | -55°C~+125°C | |
| Current consumption | (No load) | | 40mA Max. | 25mA Max. |
| Duty | CMOS level (1/2 Vdd) | | 40~60% | |
| Output Voltage | V _{OH} | | Vdd-0.4V Min. | |
| | V _{OL} | | 0.4V Max | |
| Output Load | | | CMOS 15pF Max. | |
| Rise and Fall Time | 0.2Vdd↔0.8Vdd | | 4 nsec Max. | |
| Start-up time | | | 10 msec Max. | |
| Input Voltage | V _{IH} | | 2.0V Min. | 0.7Vdd Min. |
| | V _{IL} | | 0.8V Max. | 0.2Vdd Max. |
| Disable current | | | 30mA Max. | 15mA Max. |
| Stand-by current | | | 50 μA Max. | |
| Aging (first year) | | | ±2ppm / year Max. | |