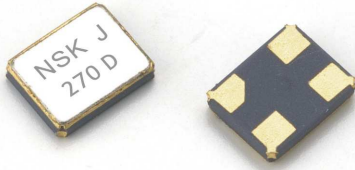


SMD TYPE CERAMIC (SMD 2 x 1.6)



Application of SMD crystal:

- Radio communication
- TCXO
- Office automation equipment
- GPS
- Audio-visual equipment



{ Features }

Seam welding
Excellent solderability
Automatic and perfect packing due to emboss taping
Excellent vibration resistance & shock resistance
Rohs compliant / Pb free

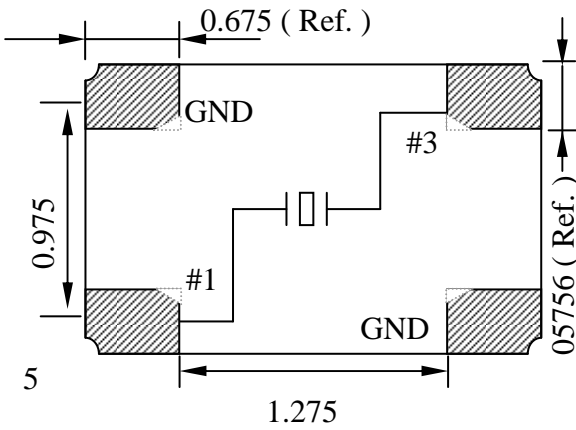
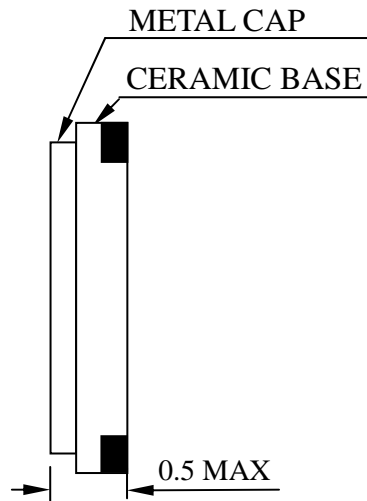
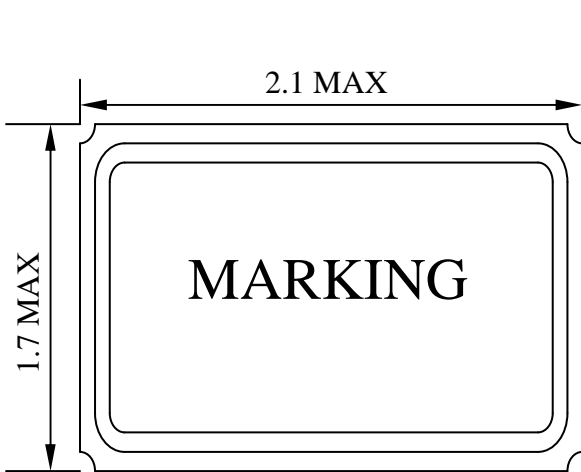
Electrical Specification:

Model	NXN-21
1.Frequency	
Frequency Range	20.0 ~ 50.0 MHz
Frequency Tolerance at 25°C±2°C	±10 ~ ±50 ppm (TYP.)
Frequency Stability Over Operating Temp Range	±10 ~ ±50 ppm (TYP.)
2.Environmental Condition	
Operating Temp Range	-10°C~ +60°C,-20°C~ +70°C or customer requirement
Storage Temp Range	-40°C ~ +85°C
Aging Rate	±3ppm/year
3.Electrical Specifications	
Test Circuit	S&A 250B
Load Capacitance	6 pF ~ 32 pF, series or special
Drive Level	1uW ~ 100uW or special
Shunt Capacitance	7.0pF max

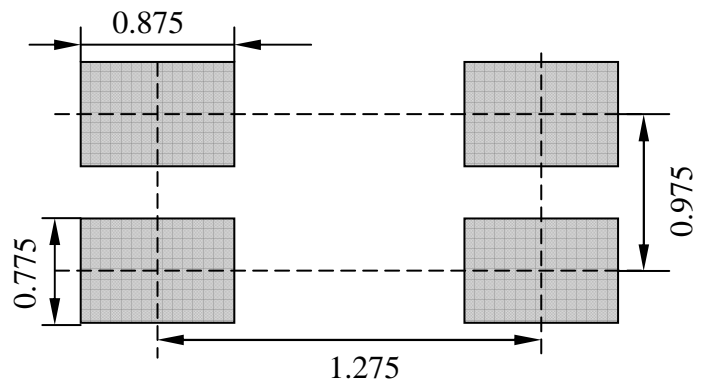
Equivalent Series Resistance(ESR) VS Frequency:

Frequency (MHz)	Oscillation Mode	NXN-21
20.0 ~ 23.9	Fundamental	120Ω
24.0 ~ 29.9	Fundamental	100Ω
30.0 ~ 37.9	Fundamental	80Ω
38.0 ~ 50.0	Fundamental	60Ω

Dimensions (mm):

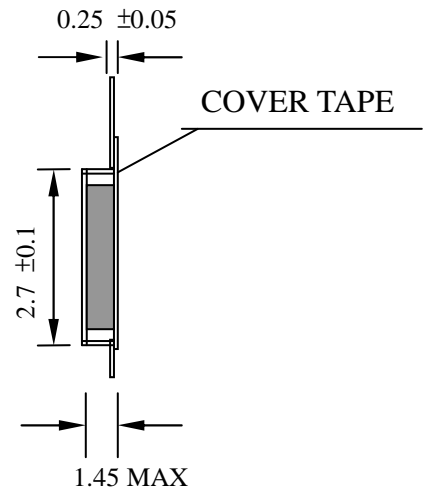
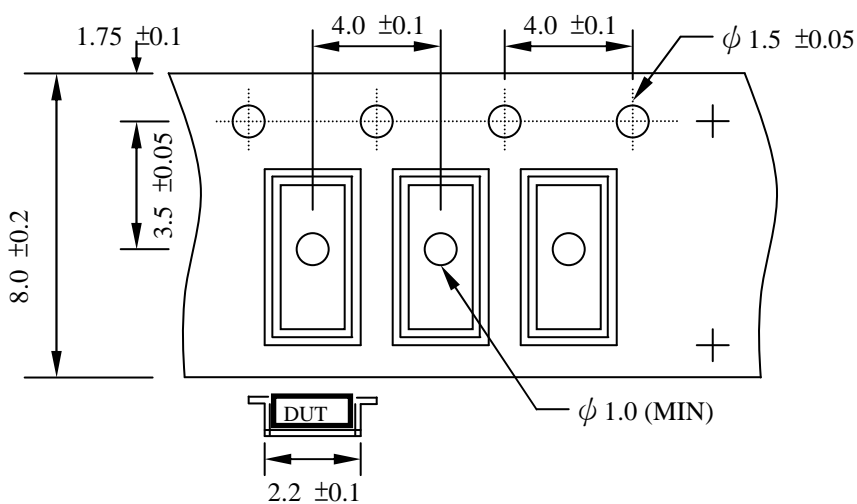


<TOP VIEW>

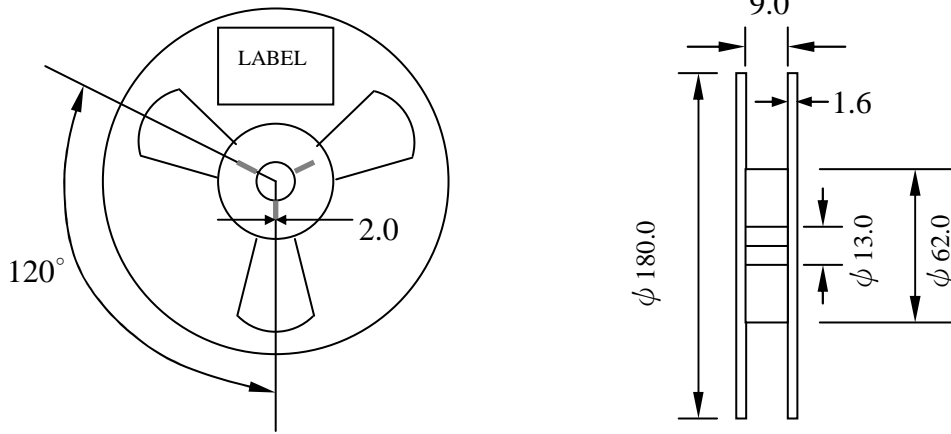


(Recommended Land Pattern)

Tape specification (mm):



Reel packing (mm):



Reflow Temperature profile:

